

Photo Display
PDA777

Atrium 7



Keep your memories alive

Seitenverhältnis
Aspect Ratio
Rapport largeur/hauteur

16:10

Photo
JPEG



Clock



Calendar



User manual

Content

1.	PRODUCT INTRODUCTION	3
1.1.	<i>Package Content.....</i>	3
1.2.	<i>Features.....</i>	3
1.3.	<i>Description of Buttons</i>	4
1.4.	<i>Functions of Buttons.....</i>	4
2.	MAIN FUNCTIONS.....	5
2.1.	<i>Photo</i>	5
2.2.	<i>Calendar.....</i>	6
2.3.	<i>Set Date / Calendar Menu</i>	6
2.4.	<i>Set Time / Clock Menu.....</i>	6
2.5.	<i>Display Calendar or Clock.....</i>	7
2.6.	<i>Auto-Power.....</i>	7
2.7.	<i>Enable "Power ON" Function.....</i>	7
2.8.	<i>Enable "Power OFF" Function.....</i>	7
2.9.	<i>Set Time for Power ON / OFF</i>	8
3.	SET UP MENU	8
3.1.	<i>Photo Setting</i>	8
3.2.	<i>Display Setup - Brightness/ Contrast / Saturation</i>	9
3.3.	<i>Custom Setup Menu - OSD Language/ Style/ Repeat Mode/ Default.....</i>	9
4.	WARRANTY CONDITIONS	10
4.1.	<i>Substance of warranty:.....</i>	10
5.	SERVICE.....	11

1. Product Introduction

Congratulations on your purchase of the JOB0 Photo Display ATRUM 7! Before operating the unit, please read this manual thoroughly and retain it for future reference. Save the original box and all packing material for future shipping needs.

1.1. Package Content

Before using the Photo Display ATRUM 7, be sure to check if all the accessories are included in the package. The scope of delivery is as followed:

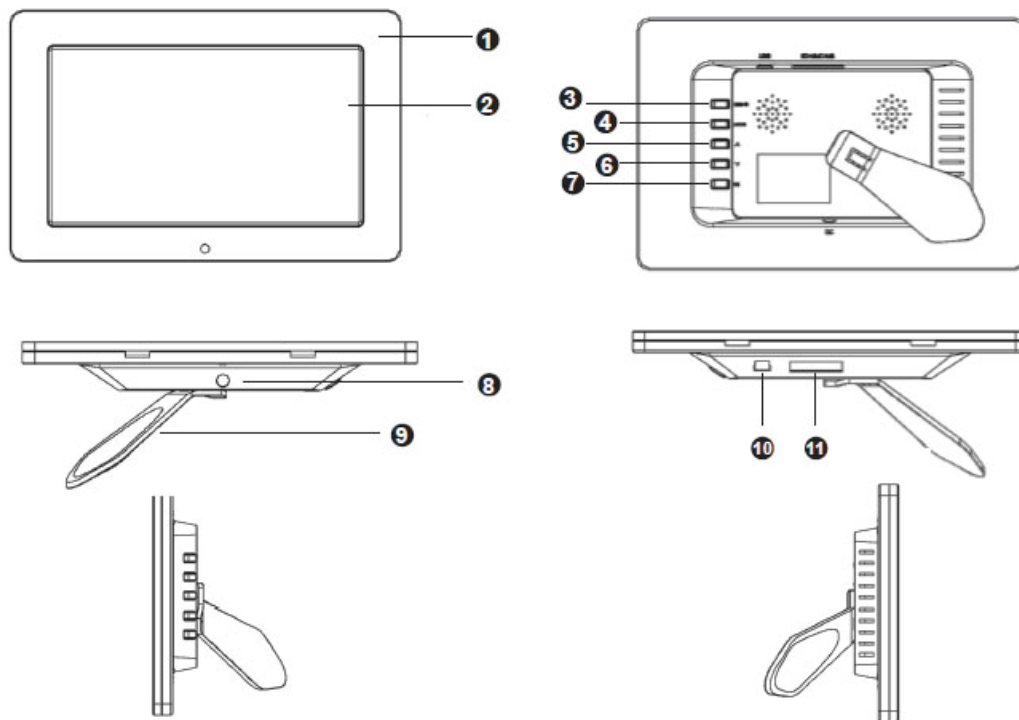
- JOB0 Photo Display ATRUM 7
- Stand
- AC adapter
- User Manual

1.2. Features

- Digital Picture Frame for displaying digital images
- Slideshow with various transition effects
- Calendar and clock function
- Display: 16.4 cm color TFT LCD
- Aspect ratio: 16:10
- Physical resolution of panel: 480x234 pixels
- Supported photo format: JPEG
- Supports images up to 16 megapixels
- Supported memory cards: SD, SDHC, MMC; USB Mini
- Incl. AC adapter and manual

1.3. Description of Buttons

The following diagram shows a definition of the buttons and their function:



- | | | | |
|-------------------|----------------------|-----------------|------------------|
| 1. Outer Frame | 2. Display / Panel | 3. ESC / Power | 4. Mode |
| 5. Move Left / up | 6. Move Right / down | 7. OK / Confirm | 8. DC Power Port |
| 9. Stand | 10. USB Host Slot | 11. SD/MMC Slot | |

1.4. Functions of Buttons

- | | |
|---------------------|--|
| Mode | Enter the Setup Menu to adjust settings |
| OK | Confirms selection; press and hold to exit the previous SETUP menu |
| ESC | Exits the current menu ; press and hold to exit to Power on/off |
| Left / up | Picture Rotation |
| Right / down | Picture Zoom |

2. Main functions

The Photo Display ATRUM provides 4 main functions:

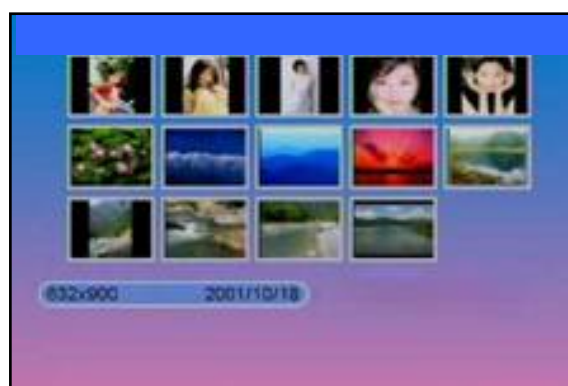
- Photo
- Calendar
- Clock
- Auto-Power



The ATRUM 7 will automatically search photo files on an inserted memory card when being turned on. The frame will return to the main menu if no files will be found within 10 seconds. "No Playable File" will be displayed if there are unknown files on the memory card.

2.1. Photo

In the photo mode the frame supports photo playing JPG images. When the automatic playing function is selected, the photo frame will start automatically showing images when entering "Photo" in the main menu. If you select "Photo" in the main menu the ATRUM 7 will display thumbnails.



Thumbnail screen

2.2. Calendar

If you choose the “Calendar” symbol in the main menu, the following screen will appear and you can choose between:

- **Display**
 - To show the calendar press “OK” when “Display” is selected in yellow
- **Set Date**
 - If you want to change the date select this and confirm with OK to enter the settings menu for the date
- **Exit**
 - Going back to the main menu just press the EXIT button.



2.3. Set Date / Calendar Menu

- Select “year” by using “▼/▲” buttons. Confirm “year” by pressing “OK” for 2 sec.
- Move to “month” by using the “▼/▲” button and enter setting mode by pressing “OK”.
- Select “day” by using “▼/▲” buttons. Confirm minutes by pressing “OK” for 2 sec.
- Press “Exit” to return to the main menu.



2.4. Set Time / Clock Menu

- Select “hour” by using “▼/▲” buttons. Confirm “hour” by pressing “OK” for 2 sec.
- Move to minutes by using the “▼” button and enter setting mode by pressing “OK”.
- Select minute by using “▼/▲” buttons. Confirm minutes by pressing “OK” for 2 sec.
- Press “Exit” to return to the main menu.



2.5. Display Calendar or Clock

- There are two displaying modes to choose between:
 - Clock and Date
 - Calendar
- To display either the clock or the calendars choose the corresponding symbol in the main menu, then choose “Display” and press OK.

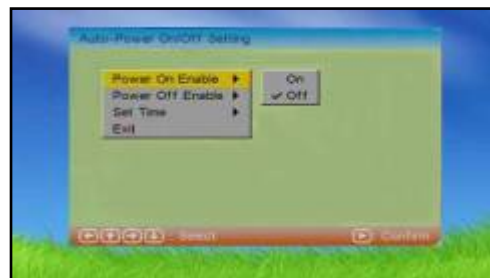


2.6. Auto-Power

- Select “Auto Power Off” in the main menu by using “▼/▲” buttons. Confirm by pressing “OK” for 2 sec.
- Then you can define the Power ON as well as the Power OFF function.
- For both functions you can set the time within the “Set Time” menu

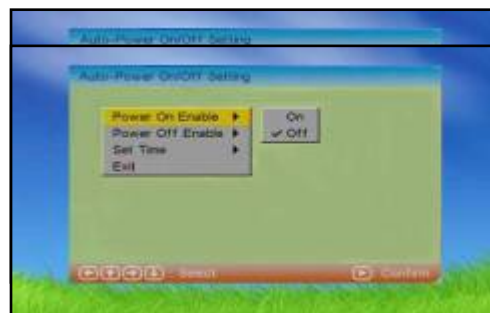
2.7. Enable “Power ON” Function

- In the “Power ON Enable” menu you can either choose “Power ON”, which means the function is activated, or you can choose “Power OFF” which disables this function.
- Confirm either one with “OK”



2.8. Enable “Power OFF” Function

- In the “Power OFF Enable” menu you can either choose “Power ON”, which means the function is activated, or you can choose “Power OFF” which disables this function.
- Confirm either one with “OK”



2.9. Set Time for Power ON / OFF

- Select “hour” by using “▼/▲” buttons. Confirm “hour” by pressing “OK” for 2 sec.
- Move to minutes by using the “▼” button and enter setting mode by pressing “OK”.
- Select minute by using “▼/▲” buttons. Confirm minutes by pressing “OK” for 2 sec.
- Press “Exit” to return to the main menu.



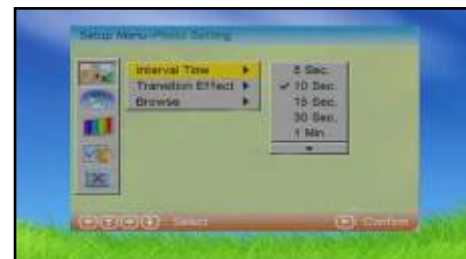
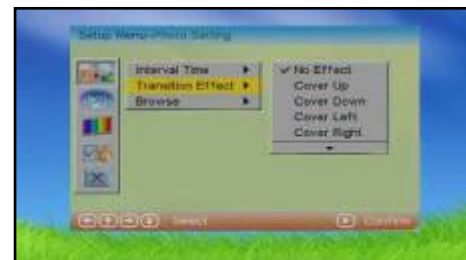
3. Set up menu

Press “Mode” Button on the back of the unit to enter the set up menu.

3.1. Photo Setting

In the “Photo Setting” menu you can adjust the following functions:

- **Interval time** of the slide show
 - You can choose 3, 5, 10, 15, 30 seconds as well as 1 and 3 minutes or you can turn off this function.
- **Transitions effects** between photos
 - You can choose from: No effect, Blind Vertical, Blind Horizontal, Color Rotation Vertical, Color Rotation Horizontal, Block 1 to 9, Fade in Fade out, Random.
- Photo Playback **“Show type”**
 - You can either define to playback photos in “Fit Screen” mode or in “Full Screen” mode.



3.2. Display Setup - Brightness/ Contrast / Saturation

In the “Display Setup” menu you can adjust the following functions:

- **Aspect Ratio “Display Type”**
 - Auto
 - 16:9
 - 4:3
- **Photo Brightness**
 - Normal
 - Bright
 - Soft
- **Photo Contrast**
 - You can adjust the contrast for photos in small steps between - 4 to +4
- **TFT Brightness/ Contrast / Saturation**
 - You can adjust the contrast for photos in small steps between - 4 to +4



3.3. Custom Setup Menu - OSD Language/ Style/ Repeat Mode/ Default

In the “Custom Setup” menu you can adjust the following functions:

- **On Screen Display (OSD) Language**
 - You can choose between: English, French, German, Italian, Spanish, Portuguese, Dutch and Polish



- **Style of Windows and Menu**
 - There are four different color templates with different appearances of the windows and setting menu.



- **Repeat Mode**
 - “Off” Turns off the repeat mode
 - “One ”Turns the repeat mode on
 - “Folder” Repeats the photos of the current folder
 - “All” Repeats all files of the memory card



- **EXIT**
 - When you have finished the settings you can Exit the settings here.



4. Warranty conditions

This product is subject to the legal warranty periods relating to manufacturing faults and defects.
Substance of the warranty:

4.1. Substance of warranty:

1. In the event of malfunctioning caused by manufacturing defects JOB0 AG will repair or replace the defective product at its own discretion.
2. JOB0 AG and its suppliers do not assume any liability for data losses occurring during operation of the device or consequential damage resulting from this. Under no circumstances will JOB0 AG assume liability for any direct, concrete or special damage or consequential damage like for example damage to or loss of property or devices, loss of profits or sales, costs for spare parts, expenditure or inconvenience caused by the interruption of service or any other damage. The user will be exclusively responsible for the loss, damage or destruction of data during the operation of a JOB0 product. Under no circumstances will JOB0 AG be liable for the recreation of such data. Under no circumstances can claims be lodged that exceed the purchase price of the product.
3. The following repairs are not covered by the warranty and must be paid for separately:

- Malfunctions after the end of the legal warranty periods
- Change of battery after the end of the warranty period
- Change of hard disk after the end of the warranty period
- Malfunctions due to incorrect operation by the user (if device is not used as described in the manual)
- Malfunctions caused by other devices
- Changes or damage to the device not caused by the manufacturer; especially, warranty claims will lapse if the device has been opened by anyone other than by a JOB0 AG repair workshop
- Damage caused by natural disasters (acts of God)
- A hard disk change during the warranty period must only be performed by JOB0. Such a change by any other party will entail the loss of all warranty claims.

If you want to make any claims under the warranty you are asked to contact the Technical Service of JOB0 AG. You will be expected to quote the serial number of the JOB0 product and may also have to submit proof of purchase to show that the warranty period has not yet elapsed.

5. Service

If you have any questions on or need help with our products please do not hesitate to get in touch with our Technical Service.

JOB0 AG
Service Department
Kölner Straße 58
D-51645 Gummersbach
E-Mail: support@jobo.com
Website: www.jobo.com

Subject to technical modification!
29/07/2009 STS