

# User Manual

Version 1.1

## Photo Display

# NANO 7



Keep your memories alive

Note: This manual is written for NANO 7 Basic, Pro and Media.  
You may find functions that are only available in other models.

## Content

<b>SAFETY INSTRUCTIONS .....</b>	<b>3</b>
CAUTION WITH POWER CORD .....	3
ELECTRICAL DEVICES AND CHILDREN.....	3
SETTING THE DEVICE UP SAFELY .....	4
DISPOSAL OF OLD DEVICES .....	4
CAUTION: NOTICES ON MAINS DISCONNECTION.....	4
<b>SPECIFICATIONS .....</b>	<b>5</b>
NANO 7 BASIC .....	5
NANO 7 PRO .....	5
NANO 7 MEDIA .....	5
<b>PACKAGING CONTENT .....</b>	<b>6</b>
<b>GETTING TO KNOW THE UNIT .....</b>	<b>6</b>
REMOTE CONTROL .....	6
TOUCH ACTIVATED BUTTONS .....	7
CONNECTORS ON THE UNIT .....	8
<b>INSTALLING &amp; REPLACING THE BATTERY .....</b>	<b>8</b>
<b>SET UP STAND OF NANO 7 .....</b>	<b>8</b>
<b>GETTING STARTED .....</b>	<b>9</b>
<b>OPERATING INSTRUCTION .....</b>	<b>9</b>
MEMORY CARDS AND USB DEVICES .....	10
<b>PHOTO MODE.....</b>	<b>10</b>
HOW TO USE THE PHOTO MODE.....	10
<b>MUSIC MODE .....</b>	<b>11</b>
HOW TO USE THE MUSIC MODE .....	11
INFO BAR FUNCTIONS IN MUSIC MODE .....	11
<b>VIDEO MODE .....</b>	<b>12</b>
HOW TO USE THE VIDEO MODE .....	12
INFO BAR FUNCTION IN VIDEO MODE .....	12
<b>COMBO MODE - PHOTOS WITH BACKGROUND MUSIC .....</b>	<b>13</b>
HOW TO USE THE COMBO MODE .....	13
<b>CLOCK / DATE MENU .....</b>	<b>13</b>
<b>SETUP MENU .....</b>	<b>13</b>
PICTURE SETUP.....	13
VIDEO SETUP .....	14
CLOCK SETUP .....	14
SYSTEM SETUP.....	14
<b>TROUBLESHOOTING GUIDE .....</b>	<b>15</b>
<b>WARRANTY CONDITIONS .....</b>	<b>16</b>
<b>SERVICE .....</b>	<b>16</b>

The NANO 7 is less than 1 cm thick and features a 7" high resolution TFT-Color-LCD display designed to beautifully showcase digital images and many user-friendly functions. This ultra-slim frame can be conveniently operated with its versatile remote control. NANO 7 digital picture frame is available in three different versions – Basic, Pro and Media. The NANO 7 Pro and Media versions feature touch activated buttons on the front of the frame for intuitive operation of all important functions. Buttons become visible by simply touching the bottom front of the digital picture frames. The NANO Media version features multimedia capabilities including viewing digital photos in slide shows along with music and video with audio.

## Safety Instructions

### Caution with Power Cord

Always pull the power cord out holding the plug. Never pull on the cord itself, and never pull out the power cord with wet hands as this may cause a short-circuit or electric shock. Do not place furniture, etc. on the power cord and take care that it does not become tangled. Never make a knot in the power cord and do not tie it together with other cables. The power cord should be positioned in such a way that nobody can stand on it. A damaged power cord can cause fire or electric shock. Check the power cord from time to time. If it is damaged, contact your nearest authorized customer service or dealer to replace it.

- Devices using a power cord must only be connected to the type of power supply specified on its label.
- Never apply brute force when inserting the power plug into the wall outlet. If you cannot connect the power adapter, the wall outlet may be obsolete. In this case, consult an electrician to replace the obsolete outlet.
- There might be a risk of electric shock by improper handling of electrical power.
- Risk of electric shock: if the power cord has been visibly damaged, turn the device off immediately and unplug the power cord.
- Never open the housing of the device, of the power adapter or the accessories as they contain no replaceable parts. By opening the housing you endanger your life through risk of electric shock.

### Electrical Devices and Children

Do not allow children to use electrical devices when not under supervision.

- Children may not comprehend the presence of potential risks.
- Batteries/rechargeable batteries can be lethal if swallowed.
- Keep batteries out of reach of children! If batteries are swallowed, seek medical advice immediately.
- Keep the packaging away from children too. There is danger of suffocation.
- The device should not be exposed to sprayed or dripping water.

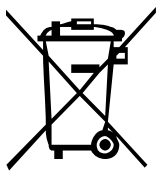
- No objects filled with liquids such as vases or drinks should be placed on, above or near the device.

### Setting the Device Up Safely

Position the device on a stable, flat surface. It has not been designed for operation in very damp rooms (e.g. bathrooms). Also, take care that

- Sufficient ventilation is always available (do not place the device on shelves or likewise).
- The device is not set up on a thick carpet or bed;
- Direct heat sources (e.g. heating) do not affect the device;
- The device is not exposed to direct sunlight;
- Contact with sprayed and dripping water is avoided (place no objects filled with liquids, such as vases, on, above or near the device);
- The device is not placed in the immediate vicinity of magnetic fields (e.g. loudspeakers);
- No open fire sources (e.g. burning candles) are positioned on or near the device.
- Avoid also foreign bodies entering the device.
- Before a storm and/or lightning disconnect the device from the power supply.

### Disposal of Old Devices



If this symbol of a crossed out trash can appears on a product, it means that this product is subject to the European Directive 2002/96/EC. All old electrical and electronic devices must be disposed of separately from household rubbish at designated places. With the proper disposal of old devices you avoid damage to the environment and your personal health. You can obtain more information on the disposal of old devices by contacting your municipal administration, the disposal office or the place where you bought the product.

### CAUTION: Notices on Mains Disconnection

In order to disconnect the device fully from the mains power supply, the plug must be pulled out from the wall outlet. Therefore the equipment should be set up in such a way that unobstructed access to the wall outlet is always ensured, so that the plug can be immediately removed in an emergency situation. To avoid the danger of fire, the plug should always be removed when not being used for a long period of time from the wall outlet, such as during holidays.

- Connect the product as described in the User's Manual.
- Follow the instructions in the User's Manual of your computer.
- Place the product away from humidity and avoid wet environments.
- Never use this device near water.
- Any repair and maintenance of the devices must be performed by qualified service personnel only. Repair or maintenance is necessary when you observe any kind of damage (e.g. damaged power cord or plug, when liquids have entered the device, when objects have fallen onto the equipment, when the device has been dropped, when the device has been exposed to rain or moisture) or when you observe a reduced performance of the product.

- To avoid the risk of electric shock, the case may only be opened by qualified service technicians.
- Only use a soft, dry and fluff-free cloth or brush. Do not use any detergents, alcohol, benzene, furniture cleaner or any similar products.
- Install all cables so that they cannot be tripped over.

## Specifications

### NANO 7 Basic

- Display: 16,4cm Color TFT-LCD
- Resolution: 480 x 234 pixel
- Contrast ratio: 300:1
- Brightness: 250 cd/m<sup>2</sup>
- Aspect ratio: 16:10 (Original and optimized zoom mode)
- Card slots for SD, MMC
- Dual-Mini-USB 2.0 Host (for connecting a card reader or USB stick)
- Supported file format: JPEG
- Full screen, thumbnail or slide show mode
- Slide show with adjustable transition effects and time intervals
- Operation via remote control
- Dimensions: 210 x 164 x 9 mm

### NANO 7 Pro

- Display: 16,4cm Color TFT-LCD
- Resolution: 800 x 480 pixel
- Contrast ratio: 300:1
- Brightness: 250 cd/m<sup>2</sup>
- Aspect ratio: 16:10 (Original and optimized zoom mode)
- Card slots for SD, MMC
- Dual-Mini-USB 2.0 Host (for connecting a card reader or USB stick)
- Supported file format: JPEG
- Full screen, thumbnail or slide show mode
- Slide show with adjustable transition effects and time intervals
- Operation via remote control or touch activated buttons
- Dimensions: 210 x 164 x 9 mm

### NANO 7 Media

- Display: 16,4cm Color TFT-LCD
- Resolution: 800 x 480 pixel
- Contrast ratio: 300:1
- Brightness: 250 cd/m<sup>2</sup>
- Aspect ratio: 16:10 (Original and optimized zoom mode)
- Card slots for SD, MMC
- Dual-Mini-USB 2.0 Host (for connecting a card reader or USB stick)
- Supported photo formats: JPEG, BMP, GIF
- Supported audio formats: MP3, WMA
- Supported video formats: MPEG1, MPEG2, MPEG4, AVI
- Full screen, thumbnail or slide show mode

- Slide show with adjustable transition effects and time intervals
- Slide show with background music possible
- Calendar and alarm with timer function for Auto Power ON / OFF
- Zoom and rotate function
- Adjustable brightness, contrast and saturation
- Energy saving function
- Operation via remote control or touch activated buttons
- Dimensions: 210 x 164 x 9 mm

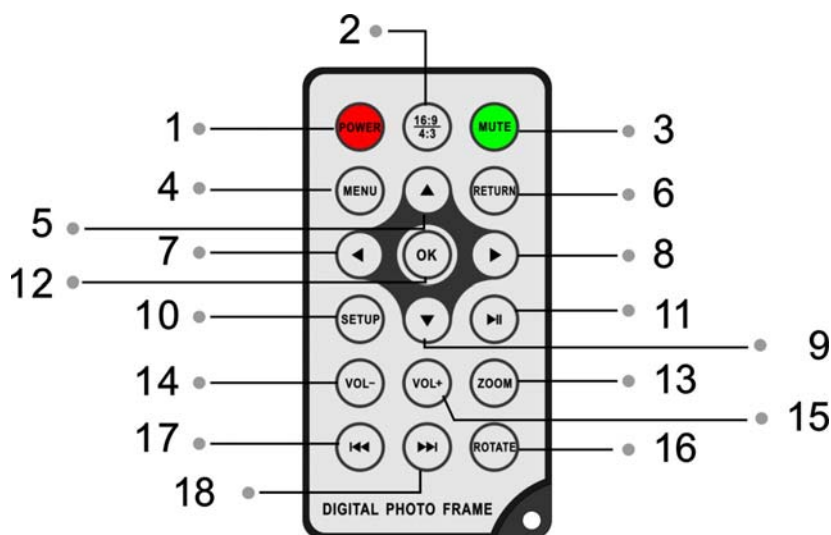
## Packaging Content

- NANO 7 Photo Display
- User manual
- Remote control
- AC/DC adapter
- Short USB Cable (optional)

## Getting to know the unit

The next chapter will explain the key functions and how to operate the unit.

### Remote Control



- |    |              |   |
|----|--------------|---|
| 1. | Power On/Off | Turn the unit on or off   |
| 2. | 16:9/4:3     | Changes picture display ratio between these two values.                       |
| 3. | MUTE         | Turns off the music during music playing function.                            |
| 4. | MENU         | During music/picture/video playing mode, press to access the "Info Bar".      |
| 5. | UP arrow     | Scrolls pictures in up/down mode. Also used for making menu selections during |

		programming and setup
6	RETURN	Browse through pictures in Combo or Photo mode. Also reverts to previous menu in Music and Video modes. When in the main menu, press this button to choose the card or USB flash.
7	LEFT arrow	Use for menu selections in Start Up, Setup, Thumbnail, Music and Video modes. Reverts to previous page when displaying folders.
8	RIGHT arrow	Use for menu selections in Start Up, Setup, Thumbnail, Music and Video modes. Advances to next page when displaying folders.
9	DOWN arrow	Used for menu selection in Start Up, Setup, Thumbnail, Calendar, Music and Video modes.
10	SETUP	Go directly to Setup mode.
11	Play/Pause	Switch between PLAY and PAUSE mode
12	OK	Press OK to confirm selection.
13	Zoom	In single picture mode, you can zoom into the image in 4 levels.
14	Volume -	Volume adjust (up)
15	Volume +	Volume adjust (down)
16	Rotate	Counter clockwise 90°
17	Previous	Move back for picture and video files.
18	Next	Move forward for picture and video files.

## Touch Activated Buttons

Note: Touch Activated buttons are only integrated in the Pro and Media Version on NANO 7.



1.	Power On/Off	Turn the unit on or off
2	Menu	During music/picture/video playing mode, press to access the "Info Bar".
3	Up Arrow	Scrolls pictures in up/down mode. Also used for making menu selections during programming and setup
4	Down Arrow	Used for menu selection in Start Up, Setup, Thumbnail, Calendar, Music and Video modes.
5	OK / Play / Pause	Press OK to confirm selection.
6	Left Arrow	Use for menu selections in Start Up, Setup, Thumbnail, Music and Video modes. Reverts to previous page when displaying folders.
7	Right Arrow	Use for menu selections in Start Up, Setup, Thumbnail, Music and Video modes.
8	Return	Browse through pictures in Combo or Photo mode. Also reverts to previous menu

in Music and Video modes. When in the main menu, press this button to choose the card or USB flash.

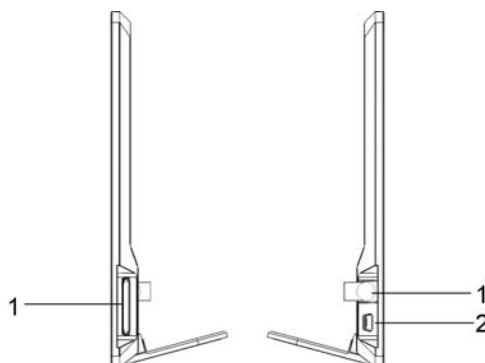
## Connectors on the unit

### Right Side of Frame

1. SD/MS/MMC

### Left Side of Frame

1. DC 5V (Power Input)
2. MINI USB



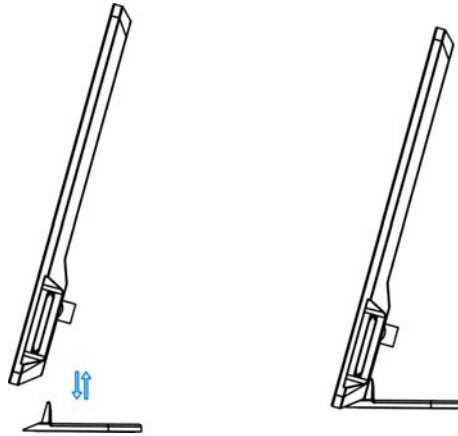
## Installing & Replacing the Battery

Place the remote control face down, press down on the ridged area of the battery cover and pull towards you to remove the tray. Place one CR2025 lithium button-cell battery on the tray with the positive "+" side facing you. Reinsert the tray.



## Set up Stand of NANO 7

Insert the bracket into the slot of the digital photo frame . Please check and make sure the stand is locked in place before standing the photo frame up. Please refer to the illustration shown below



## Getting Started

- Attach the magnetic stand to the NANO 7 on the bottom of the frame to set it up
- Then plug one end of the included AC adapter into a standard 110-240V AC electrical outlet and the other end into the right side the frame.
- Remove the protective film covering the LCD.
- Remove the plastic battery insulator from the battery compartment and make sure the remote control has a battery inside. Please refer to “Installing & Replacing Battery” if you need a new battery.
- Power on the unit by pressing the Power button on the remote control or on the top of the unit.

## Operating Instruction

After turning on the unit, you will see **MEMORY, PHOTO, MUSIC, VIDEO, SLIDESHOW, CLOCK/DATE,** and **SET UP** icons on the screen. If you insert any card or USB device , it will be displayed in the top right corner. Please see the following interface.

Note: The screen may have fewer choices depending on the model you have bought.



## Memory Cards and USB devices

The NANO 7 supports SD, MMC and USB 2.0. After inserting a memory card or USB device, you can view picture, music and video files from the card or USB device (see the diagram). Press OK to select the menu item. Note: Make sure there are supported files of pictures, music and video in the Card or USB device.

## Photo Mode

### How to use the Photo mode

Press the **Return** to choose "MEMORY CARD" in the main menu. Choose **Photo**, press **OK** to enter the picture file, then press **▲▼** to highlight the play list of supported picture files. Pictures will appear on the right, press **OK** to display. When in the main menu, choose **Photo**, press **▶** button to browse pictures in thumbnail mode. Use **▲▼◀▶** to highlight the picture you want to play, and press OK to display.



- When you enter the picture file, press **▲▼** to highlight the play list of supported picture files. Press **Menu** to choose file function operation items (Copy/ Delete).
- Press **▲▼** to choose the function you want, and press **OK** to operate.



- When the picture is playing, press **Menu** to enter "Info Bar" and then press **◀▶** to choose.
- Press **OK** to operate.
- Pressing **Menu** again will show the information of the picture in detail (size, resolution, date).

### Info Bar Function in Photo Mode

The functions of the INFO BAR are as followed from left to right:

- Play/Pause
- Stop

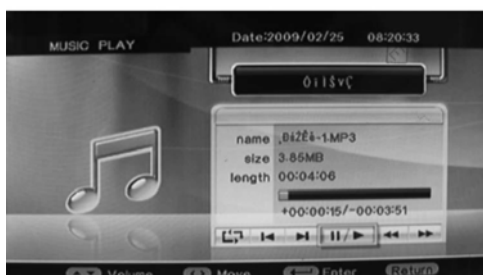
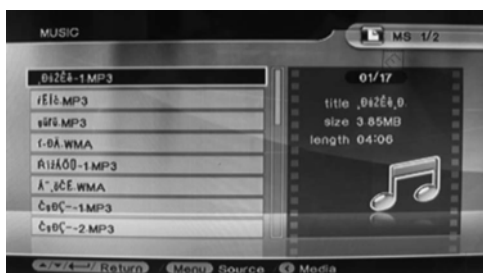
- Next
- Previous
- Repeat Rotate
- Zoom



## Music Mode

### How to use the Music mode

**Operation:** Press **Return** button to choose " **MEMORY CARD** " in the main menu. Choose **Music**, press **OK** to enter the music browser interface. Press **▲▼** to select.



- When you enter the music file, press **▲▼** to highlight the playlist of supported music files. Press **Menu** to choose file function operation items (Copy/Delete).
- Press **▲▼** to choose the function you want
- Press **OK** to confirm.

### Info Bar functions in Music mode

When the music is playing, there will be " **Info Bar** " on the interface. Press **◀▶** to choose one of the items, press **OK** to select.

The functions of the INFO BAR are as followed from left to right:

- Repeat
- Previous
- Next
- Play/pause
- Fast rewind
- Fast forward

## Video Mode

### How to use the Video mode

- Press Return button to choose "MEMORY CARD" in the main menu. Choose Video.
- Press OK to enter the Video browser interface. Press ▲▼ to select .
- When you enter the Movie file, press ▲▼ to highlight the playlist of supported picture files.
- Press the Menu to choose file function operation items (Copy/Delete). Press ▲▼ to choose the function you want and press OK to select .
- When the movie is playing, press the Menu to enter "Info Bar" and then press ◀▶ to choose one of the items, press OK to select.



### Info Bar function in video mode

The functions of the INFO BAR are as followed from left to right:

- Play/pause
- Stop
- Next picture
- Previous picture
- Fast forward
- Fast rewind Repeat
- Volume

## Combo Mode - Photos with Background Music

### How to use the Combo mode

Press **Return** to choose " **MEMORY CARD** " in the main menu, then choose **SLIDESHOW**. First you will be in the picture selection mode. Scroll through the choices with ▲▼ and select with **OK**. Then you will be in the music selection mode. Scroll through the music files and choose with ▲▼ selection with **OK**, then play.

**Note:** The Slideshow function only works with Mp3 files.

## Clock / Date Menu

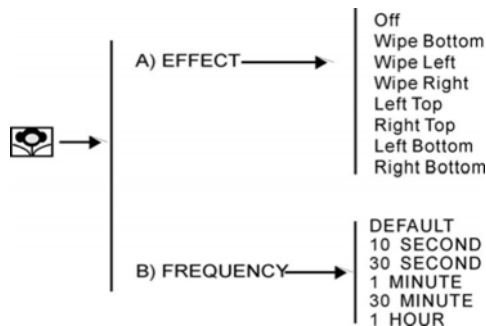
- In the main menu, use ▲▼ to highlight the Clock Icon.
- Press **OK** to find Calendar with Clock.
- Press **Return** to go back to main menu. Please refer to the following illustration



## Setup Menu

In the main menu, use to highlight Setup and press **OK**. Please refer to the following diagram. Use ▲▼ to choose the item you want to set. Please refer in detail to the following information.

### Picture Setup



**Effect** Allows you to set the transition effects for the slideshow ( Off, Wipe

Bottom, Wipe Left, Wipe Right, Left Top, Right Top, Left Bottom, Right Bottom ).

### Frequency

Allows you to choose the slideshow intervals. You can set it to 10 seconds, 30 seconds, 1 minute, 30 minutes and 1 hour. Press to highlight the one you want, and press **OK**.

### Video Setup



### Brightness

Use the ▲▼ to select between 0 (lowest) and 12 (highest).

### Contrast

Use ▲▼ to select between 0 (lowest) and 12 (highest).

### HUE

Use ▲▼ to select between 6 (most color) to -6 (least color).

### Saturation

Use ▲▼ to select values between 0 (lowest) and 12 (highest).

### Sharpness

Use ▲▼ to adjust.

### Clock Setup



### Date

Press ►, ▲▼ to set, and **OK** to select.

### Alarm

Press ► to highlight the icon, and press **OK** to set the alarm time. Use the ▲▼◀▶ to set the time and press **OK** to select. To turn off, highlight the icon and press **OK** to toggle On/Off.

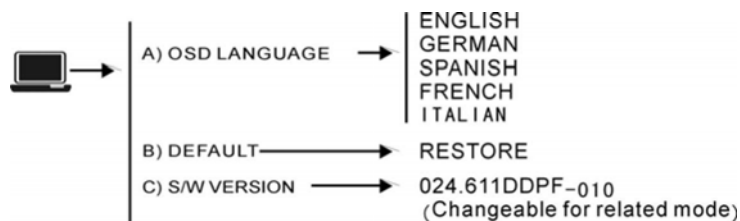
### Time

Press ►, ▲▼ to set and **OK** to select.

### Power On/Off

Press ► to highlight the time setting and press **OK**. Use ▲▼◀▶ to set the time and press **OK** to select. Select and highlight **OFF** and press **OK** to turn off the " Auto Power On " function.

### System Setup



**OSD Language** Allows you to set up the language. In the System Setup menu, press ► to highlight OSD Language Icon, press ► again to enter the submenu to choose the language and press **OK**.

**Default** Allows you to recover the original setup by pressing ► to highlight; choose Restore and press **OK**.

**S/W Version** Allows you to find the current version of the software.

## Troubleshooting Guide

If you are having problems with your player, please consult both this guide and manual. If you need further assistance, please contact Technical Support.

- No power** Please check whether the plug is inserted correctly.
- Remote control no function** Please check if the battery has power (the battery can be used for half a year in normal conditions). Replace with new battery if necessary.
- Can not read the CARD or USB** Please confirm that there is content in the card or USB device. Empty devices cannot be read.
- Can not play the file** Please confirm if the file format is compatible with the Photo Display.
- Display too bright or too dark** Please adjust the brightness or contrast in the setup menu.
- The color is light or no color** Please adjust the color and contrast setup.
- No sound** Please check whether if the volume is correct and the player is not in Mute mode.

## Warranty conditions

This product is subject to the legal warranty periods relating to manufacturing faults and defects.  
Substance of the warranty:

### Substance of warranty:

1. In the event of malfunctioning caused by manufacturing defects JOB0 AG will repair or replace the defective product at its own discretion.
2. JOB0 AG and its suppliers do not assume any liability for data losses occurring during operation of the device or consequential damage resulting from this. Under no circumstances will JOB0 AG assume liability for any direct, concrete or special damage or consequential damage like for example damage to or loss of property or devices, loss of profits or sales, costs for spare parts, expenditure or inconvenience caused by the interruption of service or any other damage. The user will be exclusively responsible for the loss, damage or destruction of data during the operation of a JOB0 product. Under no circumstances will JOB0 AG be liable for the recreation of such data. Under no circumstances can claims be lodged that exceed the purchase price of the product.
3. The following repairs are not covered by the warranty and must be paid for separately:
  - Malfunctions after the end of the legal warranty periods
  - Change of battery after the end of the warranty period
  - Change of hard disk after the end of the warranty period
  - Malfunctions due to incorrect operation by the user (if device is not used as described in the manual)
  - Malfunctions caused by other devices
  - Changes or damage to the device not caused by the manufacturer; especially, warranty claims will lapse if the device has been opened by anyone other than by a JOB0 AG repair workshop
  - Damage caused by natural disasters (acts of God)
  - A hard disk change during the warranty period must only be performed by JOB0. Such a change by any other party will entail the loss of all warranty claims.

If you want to make any claims under the warranty you are asked to contact the Technical Service of JOB0 AG. You will be expected to quote the serial number of the JOB0 product and may also have to submit proof of purchase to show that the warranty period has not yet elapsed.

## Service

If you have any questions on or need help with our products please do not hesitate to get in touch with our Technical Service.

JOB0 AG  
Service Department  
Kölner Straße 58  
D-51645 Gummersbach  
E-Mail: [support@jobo.com](mailto:support@jobo.com)  
Website: [www.jobo.com](http://www.jobo.com)

Subject to technical modification!